

Faceted Polar Vision with full height applied graphics



# POLAR Vision



Polar partitioning product comparison chart can be found on the inside back cover of this brochure



intrigue



Full height Polar Vision with striking  
bespoke manifestation

POLAR Vision






Full height Polar Vision incorporating timber panels


POLAR Vision

Polar Vision is a frameless dry vertical jointed system

#### Technical spec at a glance


 **DIMENSIONS:**  
Up to 3000mm high


 **FIRE RATINGS:**  
Up to 30/30

 **ACOUSTICS:**  
Up to 48dB (Rw)

 **STRUCTURE:**  
Up to heavy duty

 **DEFLECTION HEAD (+/-):**  
YES

 **WEIGHT Per m<sup>2</sup> (kg):**  
Up to 55.36

 **BLINDS:**  
N/A

 **MANIFESTATION:**  
Yes

Detailed Polar Vision drawings can be found on pages 44-45. In addition a partitioning product comparison chart can be found on the inside back cover of this brochure.

For further technical specifications and technical drawing downloads go to - [www.komfort.com](http://www.komfort.com)

Full height Polar Vision creating a meeting area



Inspiration and innovation reach new heights with Polar Vision. Its minimal form, confident lines and unrestricted views deliver opulence and exclusivity in any office.

## POLAR Vision



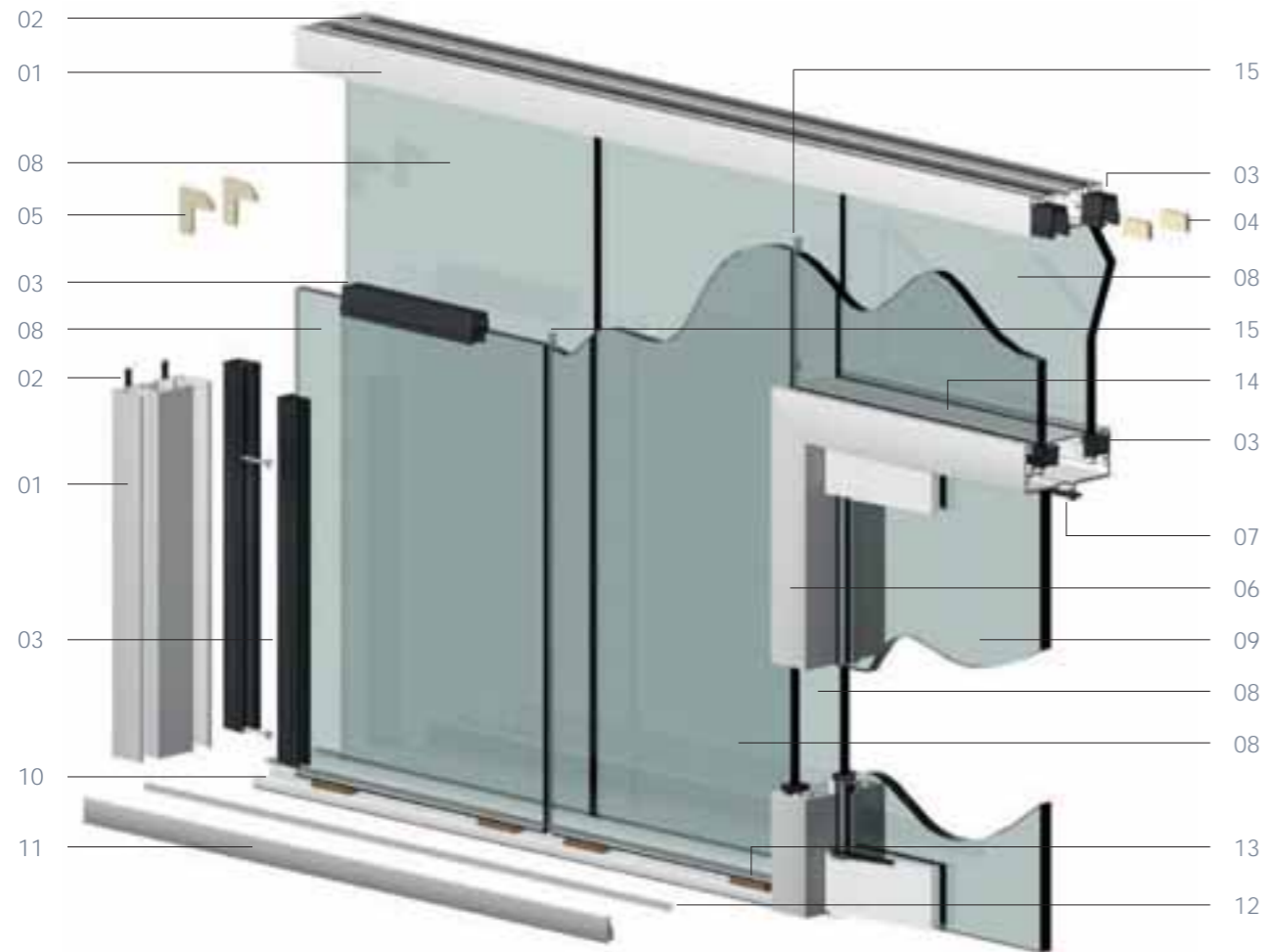
Full height Polar Vision with full height Halo double doorframe incorporating glass doors with patch hinges



Faceted and straight Polar Vision with full height timber doorframe incorporating standard height veneered door and rebated overpanel

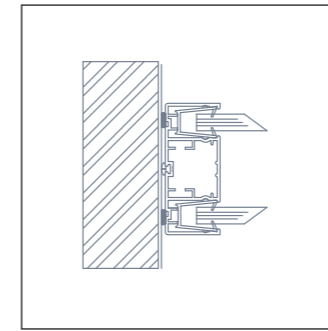


Polar Vision with full height flush double glazed doors with Part M compliant dot manifestation

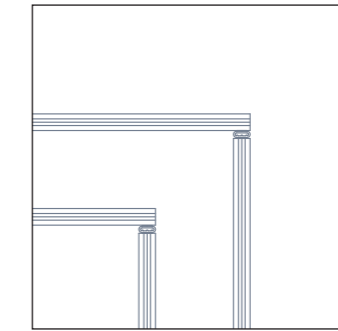


**Polar Vision** - double glazed partitioning system

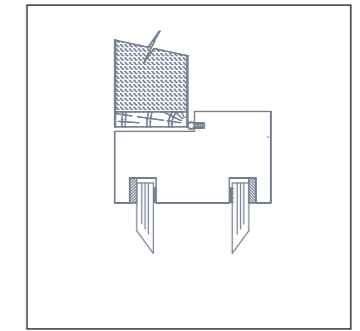
- |                            |  |  |
|----------------------------|--|--|
| 01 Head /abutment channel  | 08 10/12mm toughened safety glass      | 13 Glass packer                            |
| 02 Abutment seal           | 09 10/12mm toughened safety glass door | 14 Door frame glazing channel              |
| 03 PVCu glazing channel    | 10 Base channel                        | 15 Self adhesive translucent glazing joint |
| 04 Straight jointing cleat | 11 Base channel leg                    |  |
| 05 90° jointing cleat      | 12 Glazing bead                        |  |
| 06 Aluminium door frame    |  |  |
| 07 Door frame seal         |  |  |



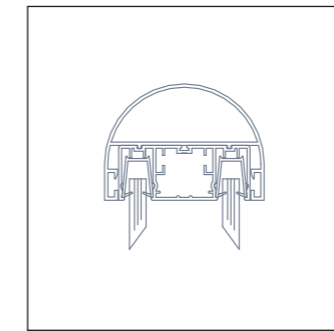
Glazed abutment



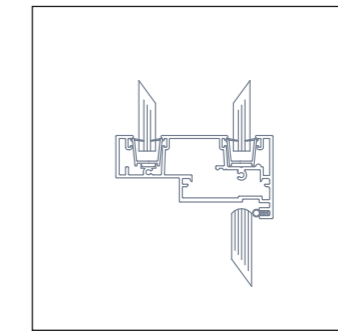
90° glazed junction



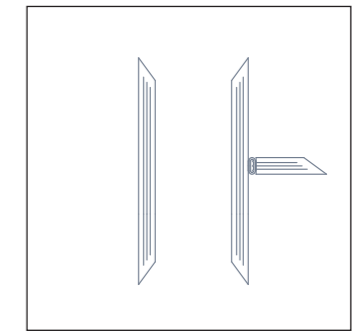
Glazed to timber door frame with timber door



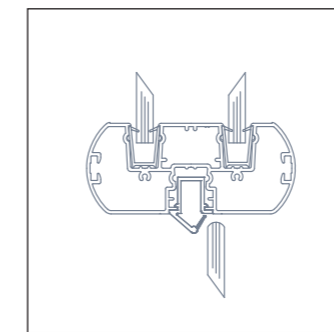
Glazed fair end



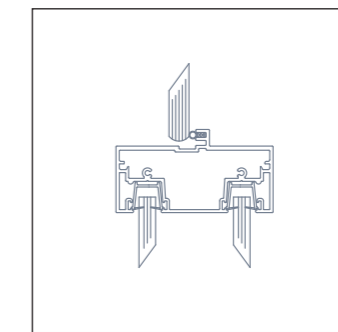
Glazed to aluminium door frame with flush door stop and glass door



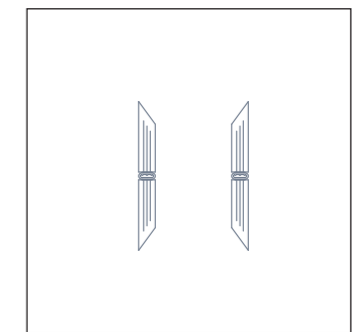
3 way double glazed to single glazed junction



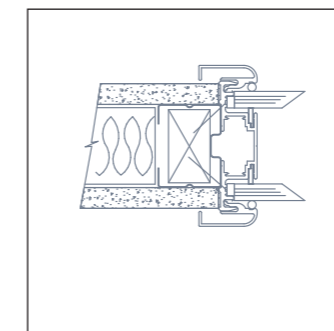
Glazed to halo aluminium door frame with glass door



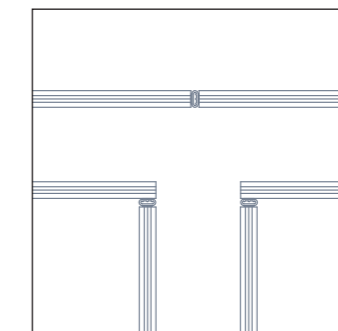
Glazed to aluminium door frame with central door stop and glass door



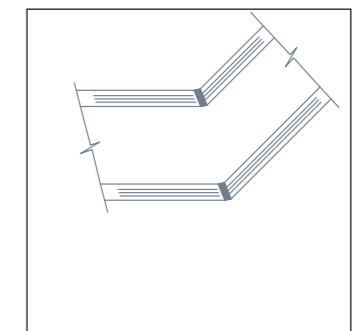
Glazed to glazed junction



Glazing to 75mm plasterboard partition system



3 way double glazed junction



135° glazed junction

These drawings are for guidance only. For comprehensive information please contact our technical department